

SERIES 629C | WET/WET DIFFERENTIAL PRESSURE TRANSMITTER

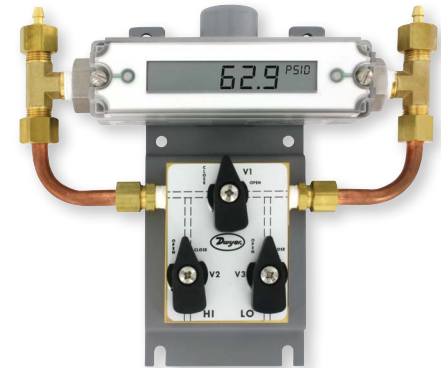
FEATURES/BENEFITS

- Versatile, high accuracy device for liquid or gas supports designs requiring more precise measurements in support of application
- Removable terminal block reduces wiring difficulties saving installation time
- Optional LCD indicator provides local status to identify operational conditions
- Optional 3-way valve manifold allows the transmitter to be zeroed without removing it from service and protects the transmitter from damage due to water hammer



APPLICATIONS

- Flow elements
- Coils
- Heat exchangers
- Chiller
- Filters
- Pumps



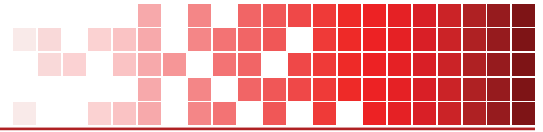
DESCRIPTION

The **SERIES 629C** Wet/Wet Differential Pressure Transmitter monitors differential pressure of compatible gases and liquids with 0.5% accuracy. The design employs dual pressure sensors converting pressure changes into a 4 to 20 mA or voltage output signal. Small internal volume and minimal moving parts result in exceptional response and reliability. The wiring terminals and zero adjustment button are easily accessed under the removable cover. The Series 629C is designed to meet NEMA 4X (IP66) weatherproof construction.

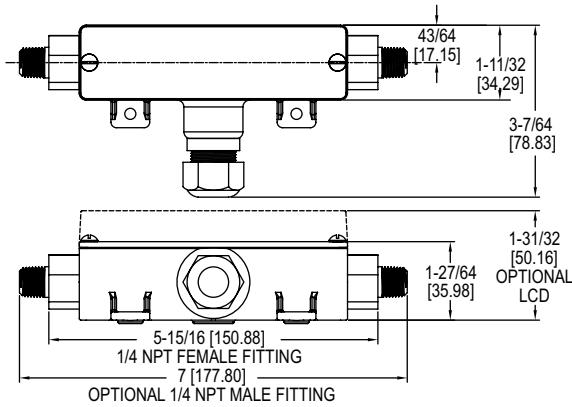
SPECIFICATIONS

Service	Compatible gases and liquids.
Wetted Materials	Without valve: 316, 316L SS. With valve option: Buna-N, silicone grease, PTFE, brass 360, copper, and reinforced copolymer.
Accuracy	±0.5% FS (includes linearity, hysteresis & repeatability).
Thermal Effect	Avg 0.04%/°F (0.072%/°C) (includes zero and span).
Display	Optional 4-1/2 digit LCD field attachable display.
Stability	±1% FS/yr.
Temperature Limits	0 to 200°F (-18 to 93°C).
Pressure Limits	See chart on catalog page.
Power Requirements	10 to 35 VDC (2-wire); 13 to 35 VDC, or isolated 16 to 33 VAC (3-wire).
Output Signal	4 to 20 mA (2-wire); Field selectable: 0 to 5, 1 to 5, 0 to 10, or 2 to 10 VDC (3-wire).
Zero and Span Adjustments	Push buttons inside conduit enclosure.
Loop Resistance	Current output: 0 to 1250 Ω max; Voltage output: Load resistance 5 kΩ min.
Current Consumption	28 mA max.
Electrical Connections	Removable terminal block; 1/2" female NPT conduit.
Process Connections	1/4" female or male NPT.
Mounting Orientation	Not position sensitive.
Weight	10.1 oz (286 g).
Agency Approvals	CE.

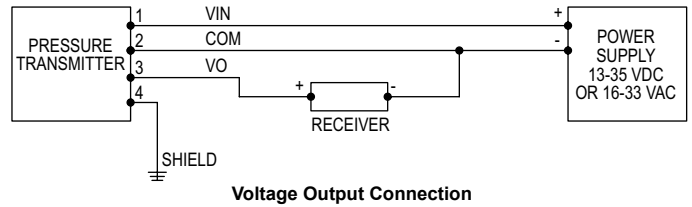
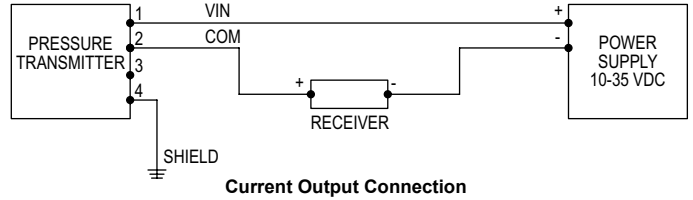




DIMENSIONS



WIRING DIAGRAM



HOW TO ORDER

Use the **bold** characters from the chart below to construct a product code.

	-629C	-05	-CH	-P3	-E2	-S1	-NIST	
SERIES	_____							OPTIONS
629C	- Wet/Wet Differential Pressure Transmitter							-3V - 3-way valve
RANGE	_____							-AT - Aluminum tag
-01	- 0 to 5 psid	-11	- 0 to 0.5 bar differential					-AT - Factory calibration certificate
-02	- 0 to 10 psid	-12	- 0 to 1 bar differential					-LCD - LCD indication
-03	- 0 to 25 psid	-13	- 0 to 2 bar differential					-NIST - NIST traceable calibration certificate
-04	- 0 to 50 psid	-14	- 0 to 4 bar differential					SIGNAL OUTPUT
-05	- 0 to 100 psid	-15	- 0 to 6 bar differential					-S1 - 4 to 20 mA
-06	- 0 to 150 psid	-16	- 0 to 10 bar differential					-S3 - Field selectable 0-5, 1-5, 0-10, 2-10 VDC
-07	- 0 to 200 psid	-17	- 0 to 15 bar differential					ELECTRICAL CONNECTIONS
-08	- 0 to 300 psid	-18	- 0 to 20 bar differential					-E1 - Cable gland with 3' of prewired cable
-09	- 0 to 500 psid	-19	- 0 to 30 bar differential					-E2 - Cable gland with 6' of prewired cable
HOUSING	_____							-E3 - Cable gland with 9' of prewired cable
-CH	- Conduit housing, NEMA 4X (IP66)							-E5 - 1/2" female NPT conduit
								-E9 - M-12 4-pin connector
								PROCESS CONNECTIONS
								-P1 - 1/4" male NPT
								-P2 - 1/4" female NPT
								-P3 - 1/4" male BSPT
								-P4 - 1/4" female BSPT

ACCESSORIES

Model	Description
A-62X-LCD	Field-upgradeable LCD
A-629C-3V	3-way brass manifold valve
A-155	Cable gland with 1/2" NPT male
A-228	12" SS flex hose
BBV-1B	Mini SS 3-valve black manifold

Important Notice: Dwyer Instruments, Inc. reserves the right to make changes to or discontinue any product or service identified in this publication without notice. Dwyer advises its customers to obtain the latest version of the relevant information to verify, before placing any orders, that the information being relied upon is current.

